

UHP SDV3 Diaphragm Valves

4500 PSIG Max Operating Pressure at 0.5 Cv



GTC Features

- 4,500 Psig Max Operating Pressure at 0.5 Cv
- Springless Metal Diaphragm Design
- 3/8" and 1/2" OD tube stubs with thick wall thickness
- C40 N.C. Actuator with Pop-Up Status Indicator
- K30 Manual Actuator with Lock-Out Tag-Out (LOTO)
- Inline and Multi-port Configurations Available

Technical Data

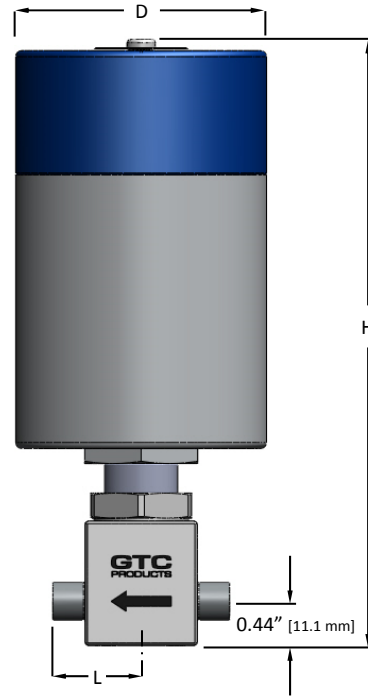
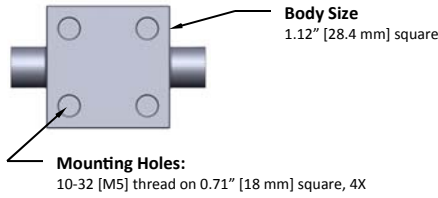
Specification	K30	C40
Actuation Type	Manual 1/2 Turn, LOTO	Pneumatic N.C.
Actuation Port	n/a	1/8" OD Tube
Actuation Pressure	n/a	75 to 120 psig
Operating Pressure	Vac to 4,500 psig	
Proof / Burst Pressure	6,800 psig / 18,000 psig	
Flow Coefficient Cv	0.5	
Internal Volume	2.7 cc	
Operating Temperature*	-20° to 300° F	
Helium Leak Rate	1 x 10 ⁻⁹ scc/s He	
Wetted Surface Roughness	< 10 Ra Average	
Wetted Surface Chemistry	Cr/Fe ≥ 2.0, CrO/FeO ≥ 3.0	
Wetted Surface Body Mat'l	316L VAR Stainless Steel	
Wetted Surface Other Mat'l	Diaphragm: Elgiloy™, Seat: Vespel SP-1	

* Temp rating is for the general valve body assembly itself. Individual actuators may have higher/lower temp ratings. Consult factory for more details.



Dimensions

Specification	K30	C40
Overall Height (H)	3.2" [81 mm]	6.1" [155 mm]
Actuator Diameter (D)	1.75" [44 mm]	2.50" [64 mm]
Tube Stub Length (L)	0.880" [22.3 mm]	



Ordering Information: C40-SDV3-2A-TXTX-VS

Actuator

C40 - Pneumatic, N.C.
K30 - Manual, 1/2 Turn, LOTO

Body Series

SDV3 - 4500 PSIG Pressure Series

Porting

1 2 3 4
Ports

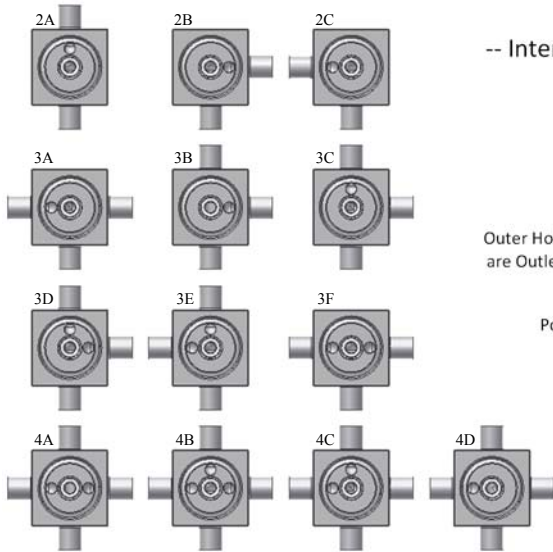
Options

VS - Vespel™ Seat (standard)
BK - Black Handle Color
GR - Green Handle Color
RD - Red Handle Color
WH - White Handle Color
YW - Yellow Handle Color

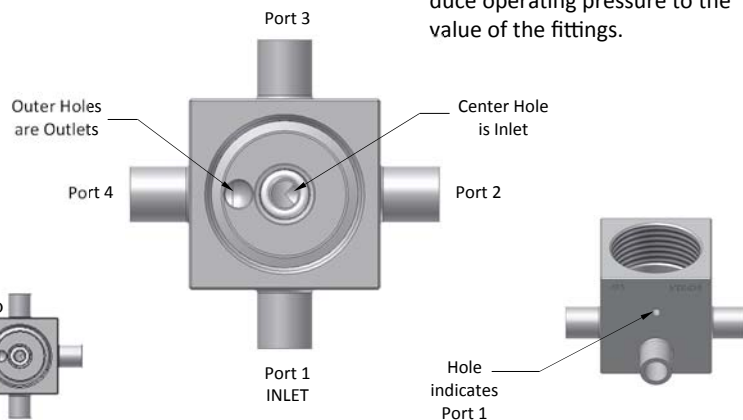
Connections

X - (No port)
T - 3/8" Tube Stub, .049" wall
8 - 1/2" Tube Stub, .065" wall

Note: face seal fittings will reduce operating pressure to the value of the fittings.



-- Internal Top View --



GTC PRODUCTS
www.gtc-products.com