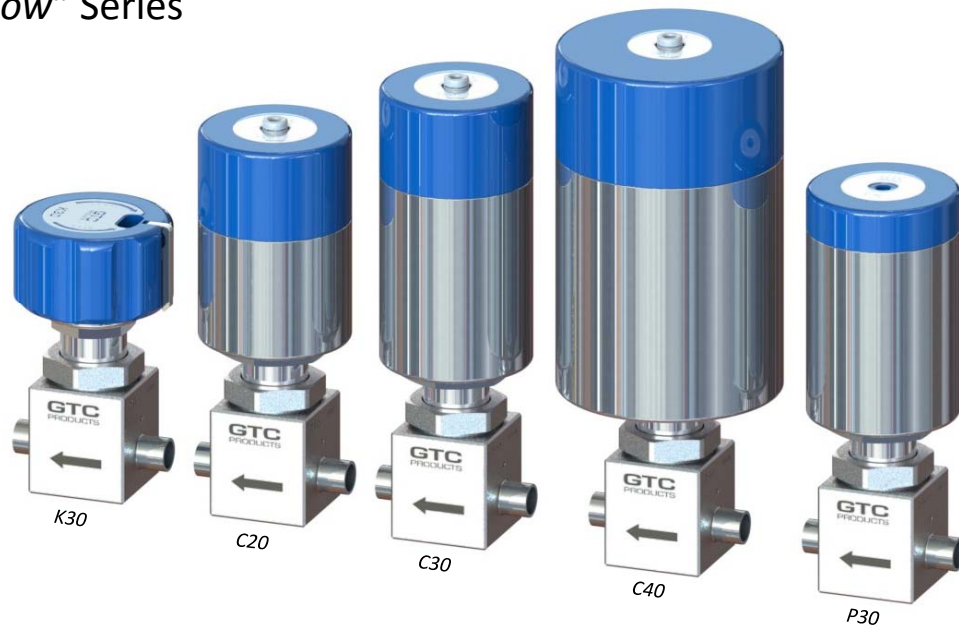


UHP DV3 Diaphragm Valves

“High Flow” Series



GTC Features

- Springless Metal Diaphragm Design
- Serviceable, Modular Valves with Replaceable Seats
- Pneumatic N.C. Actuators with Pop-Up Status Indicators
- Manual Actuator with Metal Handle, Positive Stop, and LOTO
- Replaceable Actuators without exposing wetted areas to atmosphere
- Low Cost Multi-port Configurations; 13 standard porting configurations

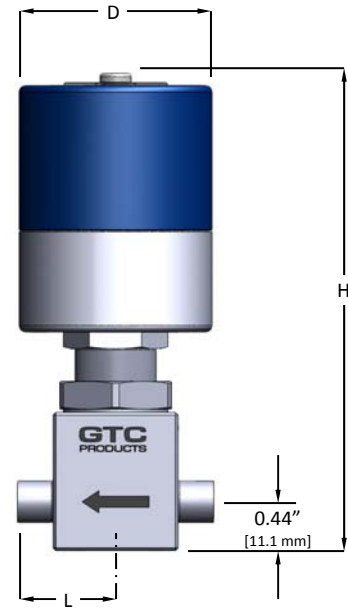
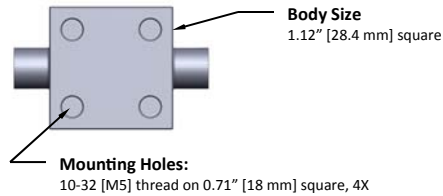


Technical Data

Specification	K30	C20	C30	C40	P30
Actuation Type	Manual 1/2 Turn, LOTO	Pneumatic N.C.	Pneumatic N.C.	Pneumatic N.C.	Pneumatic N. Open
Actuation Port	n/a	1/8" OD Tube	1/8" OD Tube	1/8" OD Tube	10-32 / M5
Actuation Pressure	n/a	70 to 120 psig	70 to 120 psig	70 to 120 psig	70 to 120 psig
Operating Pressure	Vacuum to 3,300 psig	Vacuum to 500 psig	Vacuum to 1500 psig	Vacuum to 3,300 psig	Vacuum to 1500 psig
Flow Coefficient Cv	0.5				
Proof / Burst Pressure	4500/ 9000 psig				
Internal Volume	2.7 cc				
Operating Temperature	-20° to 150° F (Vespel seat option: -20° to 300° F)				
Helium Leak Rate	1 x 10 ⁻⁹ scc/s He				
Wetted Surface Roughness	< 10 Ra Average				
Wetted Surface Chemistry	Cr/Fe ≥ 2.0, CrO/FeO ≥ 3.0				
Wetted Surface Body Material	316L VAR Stainless Steel				
Wetted Surface Other Material	Diaphragm: Elgiloy™, Seat: PCTFE (optional Vespel™)				

Dimensions

Specification	C20	C30	C40	P30	K30
Overall Height (H)	4.45" [113 mm]	5.21" [132 mm]	6.1" [155 mm]	4.82" [122 mm]	3.16" [80 mm]
Actuator Diameter (D)	1.69" [43 mm]	1.69" [43 mm]	2.50" [64 mm]	1.69" [43 mm]	1.75" [44 mm]
Tube Stub Length (L)	0.880" [22.3 mm]				
1/4" Hi-Flo Female Face Seal (L)	1.39" [35 mm]				
1/4" Hi-Flo Male Face Seal (L)	2.06" [52 mm]				
1/2" Female Face Seal Length (L)	1.49" [38 mm]				
1/2" Male Face Seal Length (L)	2.16" [55 mm]				



Ordering Information:

C20-DV3-2A-TXTX-VS

Actuator

- C20** - Low Pressure, N.C.
- C30** - Med Pressure, N.C.
- C40** - High Pressure, N.C.
- P30** - Med Pressure, N.O.
- K30** - High Pressure, 1/4 Turn, LOTO

Body Series

- DV3** - High Flow

Porting

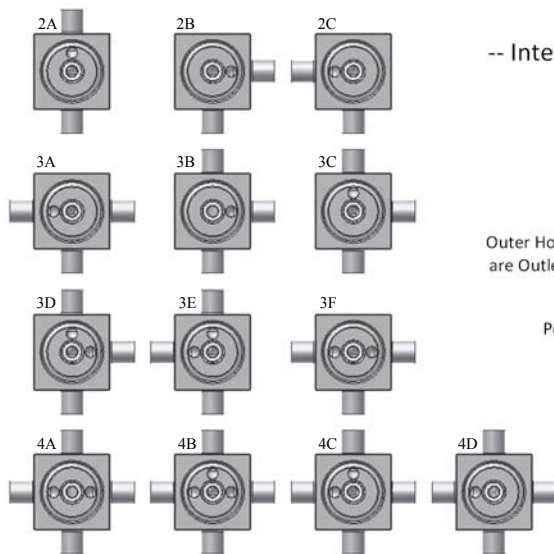
1 2 3 4
Ports

Options

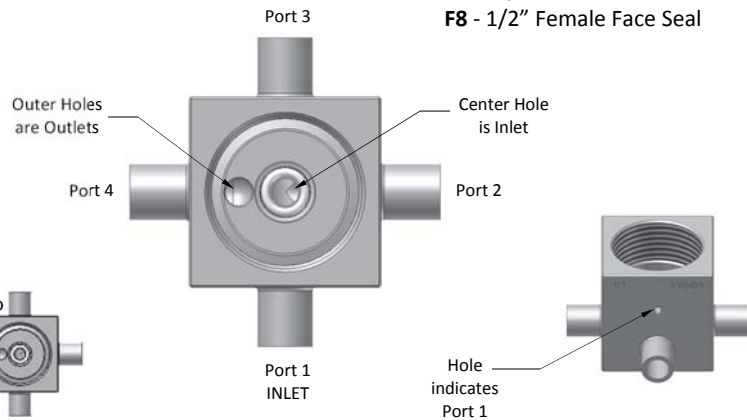
- B5** - Bleed Seat
- VS** - Vespel™ Seat
- BK** - Black Handle Color
- GR** - Green Handle Color
- RD** - Red Handle Color
- WH** - White Handle Color
- YW** - Yellow Handle Color
- LS** - Handle Extension Knob

Connections

- X** - (No port)
- T** - 3/8" Tube Stub
- 8** - 1/2" Tube Stub
- M** - 1/4" Hi-Flo Male Face Seal
- F** - 1/4" Hi-Flo Female Face Seal
- M8** - 1/2" Male Face Seal
- F8** - 1/2" Female Face Seal



-- Internal Top View --



GTC PRODUCTS

www.gtc-products.com